

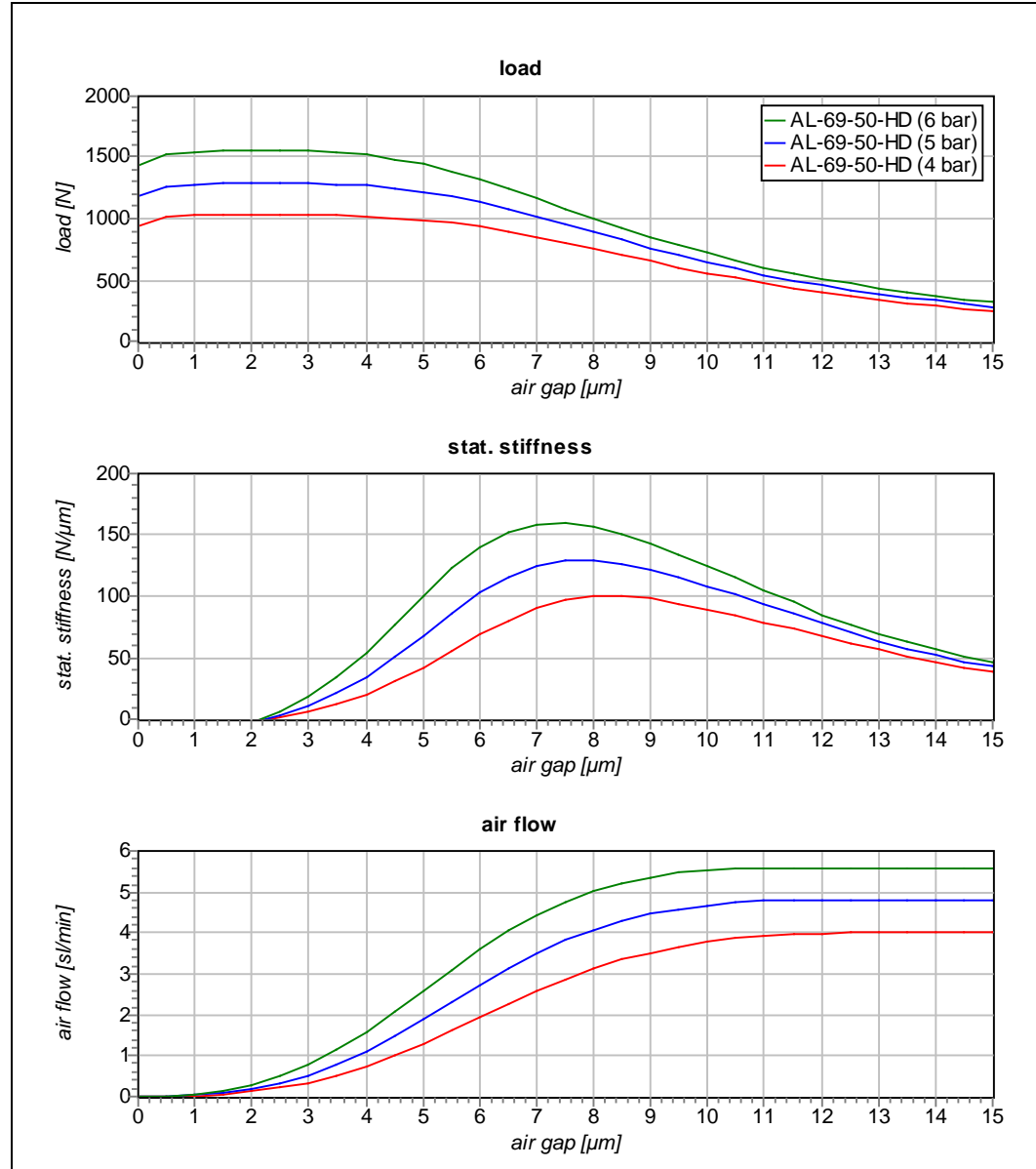
AL-69-50-HD

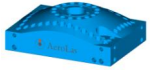
air bearing data at	4 bar	5 bar	6 bar
recommended max. load	→ 850 N	1100 N	1400 N
recommended preload	→ 500 N	650 N	750 N
gap ¹	→ 10.5 μm	10 μm	9.5 μm
static stiffness ¹	→ 80 N/μm	110 N/μm	140 N/μm
max. static stiffness	→ 100 N/μm	125 N/μm	160 N/μm
tilt stiffness ^{1,2}	→ 0.55 Nm/μm	0.7 Nm/μm	0.85 Nm/μm
unrestricted airflow	→ 4 sl/min	4.8 sl/min	5.6 sl/min

specification	
weight	→ 130 g
guiding surface	→ Ra 0.2
air quality	→ attachment
air pressure	→ max. 9 bar
accessories	→ joint AL-69-50-HD+G piston AL-69-50-HD+K

¹ at recommended load
² measured at the edge of the bearing

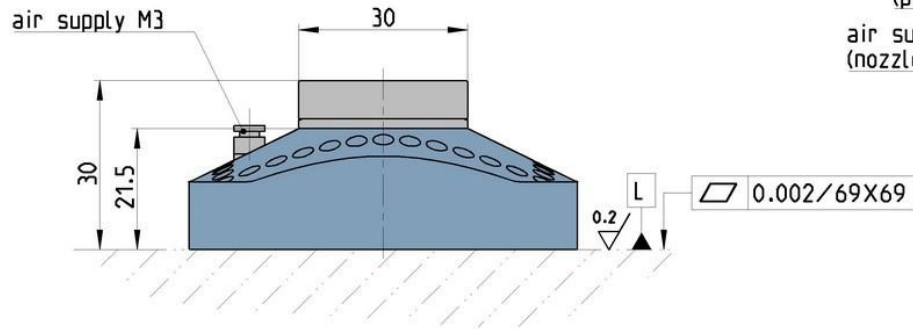
application
high dynamic



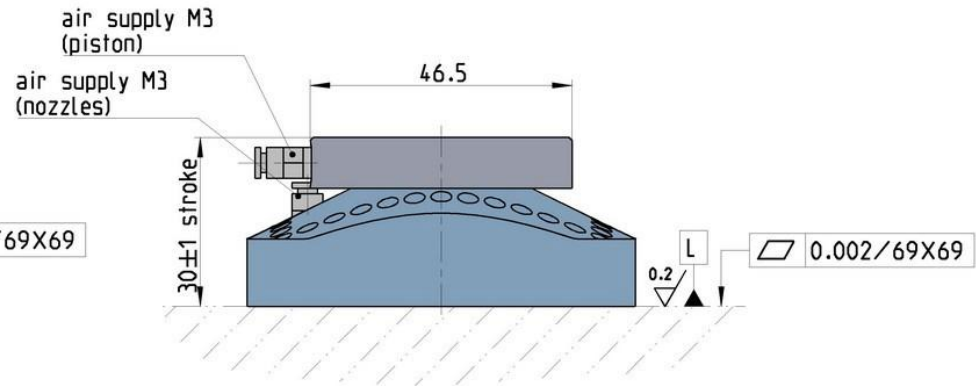


AL-69-50-HD

air bearing with joint
AL-69-50-HD+G



air bearing with piston
AL-69-50-HD+K



L= sliding surface

